

Default U12 Female -36kg

Competitors: 2

Competitors

#	Name	Grade	Club	1	2	1	2	1	2	Wins	Pts	Pos
1	Louison CORDIER	Yellow/Jaune	Butokuden Judo	XX	10	XX	10	XX		2	20	1
2	Alice DETCHEVERRY BERGERON	Yellow/Jaune	Butokuden Dojo		XX		XX		XX	0	0	2

Matches

Match	White			Blue	Result	Time	Code
A-1	Louison CORDIER	1	2	Alice DETCHEVERRY BERGERON	10 - 0	0:05	IPO
A-6	Alice DETCHEVERRY BERGERON	2	1	Louison CORDIER	0 - 10	0:19	IPO
A-11	Louison CORDIER	1	2	Alice DETCHEVERRY BERGERON			

Results

Pos	Name
1	Louison CORDIER, Butokuden Judo
2	Alice DETCHEVERRY BERGERON, Butokuden Dojo

Default U12 Female -45kg

Competitors: 2

Competitors

#	Name	Grade	Club	1	2	1	2	1	2	Wins	Pts	Pos
1	Lynn DETCHEVERY	Yellow/Jaune	Butokuden Dojo	XX	10	XX		XX		1	10	2
2	Jana DOBER	OraGr/OraVe	Fudoshin Judo Club		XX	10	XX	5	XX	2	15	1

Matches

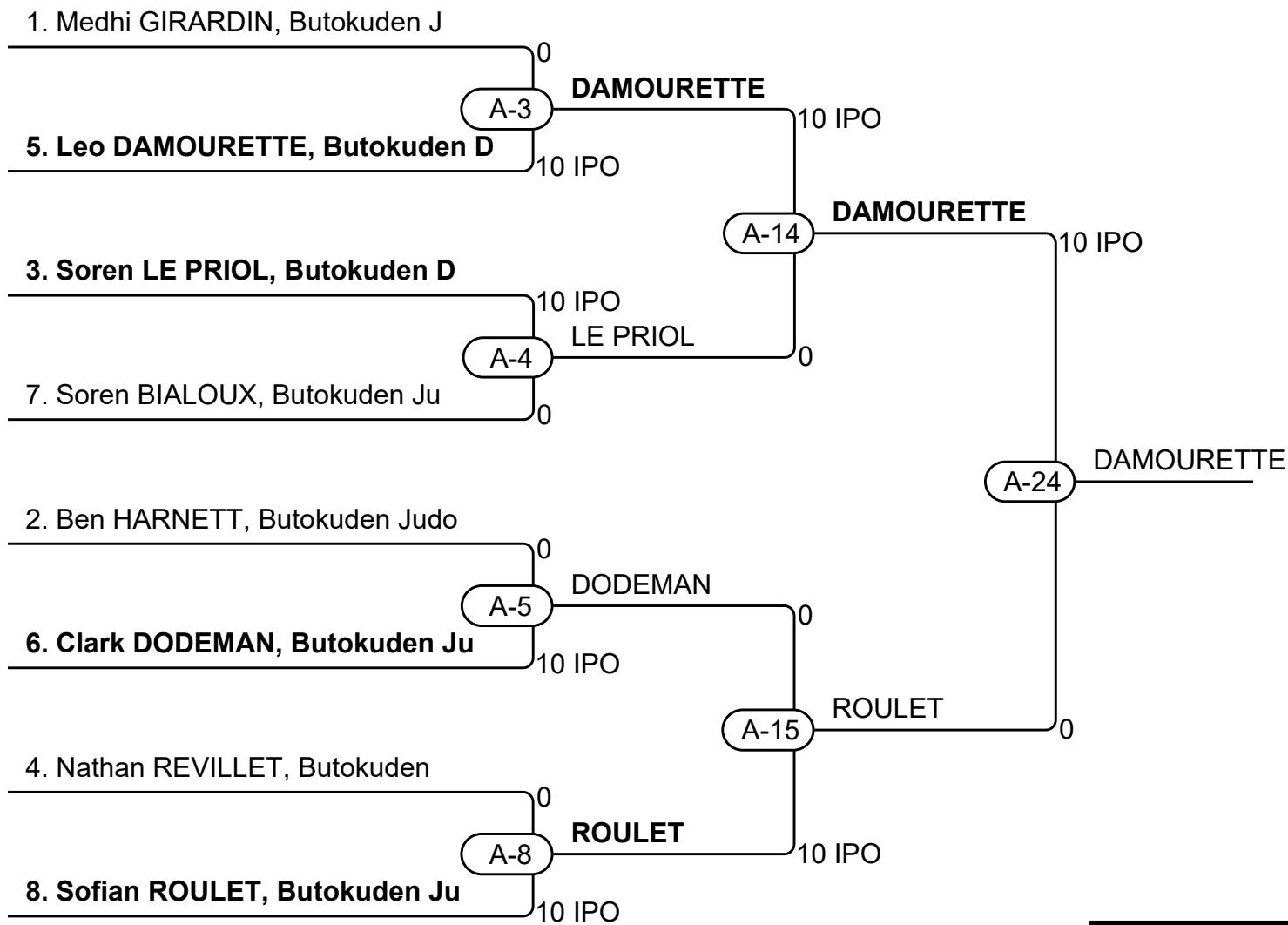
Match	White			Blue	Result	Time	Code
A-2	Lynn DETCHEVERY	1	2	Jana DOBER	10 - 0	2:00	IPO
A-7	Jana DOBER	2	1	Lynn DETCHEVERY	10 - 0	1:02	HAN
A-12	Lynn DETCHEVERY	1	2	Jana DOBER	0 - 5	2:00	WAZ

Results

Pos	Name
1	Jana DOBER, Fudoshin Judo Club
2	Lynn DETCHEVERY, Butokuden Dojo

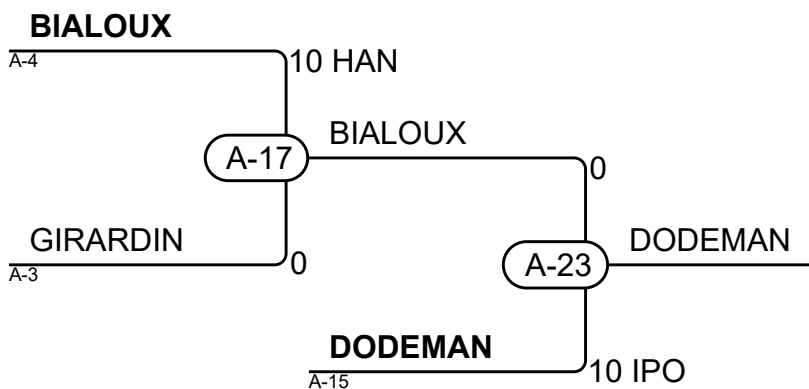
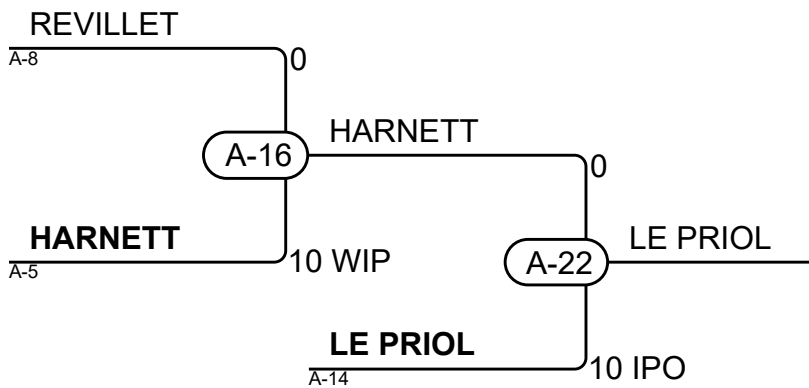
Default U12 Male Y/O -30kg

Competitors: 8



Results

Pos	Name
1	Leo DAMOURETTE, Butokuden
2	Sofian ROULET, Butokuden J
3	Soren LE PRIOL, Butokuden
3	Clark DODEMAN, Butokuden J



Default U12 Male -55kg

Competitors: 2

Competitors

#	Name	Grade	Club	1	2	1	2	1	2	Wins	Pts	Pos
1	Elias MICHEL	Orange	Butokuden Dojo	XX	10	XX	10	XX		2	20	1
2	Grayson CUDMORE	Yellow/Jaune	Fudoshin Judo Club		XX		XX		XX	0	0	2

Matches

Match	White			Blue	Result	Time	Code
A-9	Elias MICHEL	1	2	Grayson CUDMORE	10 - 0	0:28	IPO
A-18	Grayson CUDMORE	2	1	Elias MICHEL	0 - 10	0:41	IPO
A-27	Elias MICHEL	1	2	Grayson CUDMORE			

Results

Pos	Name
1	Elias MICHEL, Butokuden Dojo
2	Grayson CUDMORE, Fudoshin Judo Club

Default U14 Female Y/O -39kg

Competitors: 3

Competitors

#	Name	Grade	Club	1	2	3	Wins	Pts	Pos
1	Lou DETCHEVERRY BERGERON	Yellow/Jaune	Butokuden Dojo	XX			0	0	3
2	Celeste MAGNAVAL	Yellow/Jaune	Butokuden Dojo	10	XX		1	10	2
3	Ava SWEENEY	Yellow/Jaune	St. John's Bjj-Judo	10	5	XX	2	15	1

Matches

Match	White			Blue	Result	Time	Code
A-10	Lou DETCHEVERRY BERGERON	1	2	Celeste MAGNAVAL	0 - 10	3:00	IPO
A-19	Lou DETCHEVERRY BERGERON	1	3	Ava SWEENEY	0 - 10	3:00	IPO
A-28	Celeste MAGNAVAL	2	3	Ava SWEENEY	0 - 5	3:00	WAZ

Results

Pos	Name
1	Ava SWEENEY, St. John's Bjj-Judo
2	Celeste MAGNAVAL, Butokuden Dojo
3	Lou DETCHEVERRY BERGERON, Butokuden Dojo

Default U14 Male Y/O -42kg

Competitors: 4

Competitors

#	Name	Grade	Club	1	2	3	4	Wins	Pts	Pos
1	Gabriel LETOURNEL	Yellow/Jaune	Butokuden Judo	XX		10		1	10	3
2	Killian TELETCHÉA	Yellow/Jaune	Butokuden Judo	10	XX	10		2	20	2
3	Denys TYSHCHENKO	Yellow/Jaune	Fudoshin Judo Club			XX		0	0	4
4	Cameron BROWN	Yellow/Jaune	Goose Bay Judo Club	10	10	10	XX	3	30	1

Matches

Match	White			Blue	Result	Time	Code
A-13	Gabriel LETOURNEL	1	2	Killian TELETCHÉA	0 - 10	2:04	IPO
A-20	Denys TYSHCHENKO	3	4	Cameron BROWN	0 - 10	0:36	IPO
A-29	Gabriel LETOURNEL	1	3	Denys TYSHCHENKO	10 - 0	0:04	IPO
A-30	Killian TELETCHÉA	2	4	Cameron BROWN	0 - 10	0:05	IPO
A-35	Gabriel LETOURNEL	1	4	Cameron BROWN	0 - 10	0:09	IPO
A-36	Killian TELETCHÉA	2	3	Denys TYSHCHENKO	10 - 0	2:07	IPO

Results

Pos	Name
1	Cameron BROWN, Goose Bay Judo Club
2	Killian TELETCHÉA, Butokuden Judo
3	Gabriel LETOURNEL, Butokuden Judo
4	Denys TYSHCHENKO, Fudoshin Judo Club

Default U14 Male Y/O -50kg

Competitors: 3

Competitors

#	Name	Grade	Club	1	2	3	Wins	Pts	Pos
1	Reese HOPKINS	Orange	Goose Bay Judo Club	XX	10	10	2	20	1
2	Louka POIRIER	Green/Vert	Butokuden Dojo		XX	10	1	10	2
3	Alexey DIYANOV	Orange	Fudoshin Judo Club			XX	0	0	3

Matches

Match	White			Blue	Result	Time	Code
A-21	Reese HOPKINS	1	2	Louka POIRIER	10 - 0	0:32	IPO
A-31	Reese HOPKINS	1	3	Alexey DIYANOV	10 - 0	0:25	IPO
A-37	Louka POIRIER	2	3	Alexey DIYANOV	10 - 0	0:30	IPO

Results

Pos	Name
1	Reese HOPKINS, Goose Bay Judo Club
2	Louka POIRIER, Butokuden Dojo
3	Alexey DIYANOV, Fudoshin Judo Club

Default U14 Male Y/O -60kg

Competitors: 4

Competitors

#	Name	Grade	Club	1	2	3	4	Wins	Pts	Pos
1	Chase KEEFE	YelOr/JauO	Goose Bay Judo Club	XX				0	0	4
2	Jared KEEFE	YelOr/JauO	Goose Bay Judo Club	10	XX	10		2	20	2
3	Lois LEMOINE	Yellow/Jaune	Butokuden Dojo	10		XX		1	10	3
4	Preston STOCK	Yellow/Jaune	St. John's Bjj-Judo	10	10	10	XX	3	30	1

Matches

Match	White			Blue	Result	Time	Code
A-25	Chase KEEFE	1	2	Jared KEEFE	0 - 10	1:31	IPO
A-32	Lois LEMOINE	3	4	Preston STOCK	0 - 10	0:07	IPO
A-38	Chase KEEFE	1	3	Lois LEMOINE	0 - 10	0:39	IPO
A-39	Jared KEEFE	2	4	Preston STOCK	0 - 10	0:12	IPO
A-44	Chase KEEFE	1	4	Preston STOCK	0 - 10	0:00	IPO
A-45	Jared KEEFE	2	3	Lois LEMOINE	10 - 0	1:44	IPO

Results

Pos	Name
1	Preston STOCK, St. John's Bjj-Judo
2	Jared KEEFE, Goose Bay Judo Club
3	Lois LEMOINE , Butokuden Dojo
4	Chase KEEFE, Goose Bay Judo Club

Default U16 Female -63kg

Competitors: 4

Competitors

#	Name	Grade	Club	1	2	3	4	Wins	Pts	Pos
1	Ángela HERRERA	Blue/Bleue	St. John's Bjj-Judo	XX				0	0	4
2	Selena HART	Yellow/Jaur	Sosei Judo Club	10	XX			1	10	3
3	Nadya FRANCIS	Blue/Bleue	Fudoshin Judo Club	10	10	XX		2	20	2
4	Ally PENNEY	Green/Vert	Knights Of Honor	10	10	10	XX	3	30	1

Matches

Match	White			Blue	Result	Time	Code
A-33	Ángela HERRERA	1	2	Selena HART	0 - 10	1:57	IPO
A-34	Nadya FRANCIS	3	4	Ally PENNEY	0 - 10	0:28	IPO
A-40	Ángela HERRERA	1	3	Nadya FRANCIS	0 - 10	0:31	IPO
A-41	Selena HART	2	4	Ally PENNEY	0 - 10	1:24	IPO
A-46	Ángela HERRERA	1	4	Ally PENNEY	0 - 10	0:44	IPO
A-47	Selena HART	2	3	Nadya FRANCIS	0 - 10	1:05	IPO

Results

Pos	Name
1	Ally PENNEY, Knights Of Honor
2	Nadya FRANCIS, Fudoshin Judo Club
3	Selena HART, Sosei Judo Club
4	Ángela HERRERA, St. John's Bjj-Judo

Default U16 Male -46kg

Competitors: 2

Competitors

#	Name	Grade	Club	1	2	1	2	1	2	Wins	Pts	Pos
1	Nathan DRUGGETT	Blue/Bleue	Knights Of Honor	XX	10	XX	10	XX		2	20	1
2	Brayden SWAIN	Green/Vert	Goose Bay Judo Club		XX		XX		XX	0	0	2

Matches

Match	White			Blue	Result	Time	Code
A-42	Nathan DRUGGETT	1	2	Brayden SWAIN	10 - 0	0:04	IPO
A-48	Brayden SWAIN	2	1	Nathan DRUGGETT	0 - 10	0:04	IPO
A-53	Nathan DRUGGETT	1	2	Brayden SWAIN			

Results

Pos	Name
1	Nathan DRUGGETT, Knights Of Honor
2	Brayden SWAIN, Goose Bay Judo Club

Default U16 Male -66kg

Competitors: 2

Competitors

#	Name	Grade	Club	1	2	1	2	1	2	Wins	Pts	Pos
1	Dylan KEAN	Green/Vert	Sosei Judo Club	XX	10	XX	10	XX		2	20	1
2	Brice RIOU	Yellow/Jaune	Butokuden Dojo		XX		XX		XX	0	0	2

Matches

Match	White			Blue	Result	Time	Code
A-43	Dylan KEAN	1	2	Brice RIOU	10 - 0	0:32	IPO
A-49	Brice RIOU	2	1	Dylan KEAN	0 - 10	0:20	IPO
A-54	Dylan KEAN	1	2	Brice RIOU			

Results

Pos	Name
1	Dylan KEAN, Sosei Judo Club
2	Brice RIOU , Butokuden Dojo

Default U16 Male Y/O +73kg

Competitors: 3

Competitors

#	Name	Grade	Club	1	2	3	Wins	Pts	Pos
1	Raymond KEARNEY	Green/Vert	Goose Bay Judo Club	XX	10	10	2	20	1
2	Alex REARDON	Orange	Goose Bay Judo Club		XX	10	1	10	2
3	Charlie WELLON	Orange	Sosei Judo Club			XX	0	0	3

Matches

Match	White			Blue	Result	Time	Code
A-50	Raymond KEARNEY	1	2	Alex REARDON	10 - 0	0:17	IPO
A-55	Raymond KEARNEY	1	3	Charlie WELLON	10 - 0	1:01	IPO
A-60	Alex REARDON	2	3	Charlie WELLON	10 - 0	1:25	IPO

Results

Pos	Name
1	Raymond KEARNEY, Goose Bay Judo Club
2	Alex REARDON, Goose Bay Judo Club
3	Charlie WELLON, Sosei Judo Club

Default U18 Female -70kg

Competitors: 3

Competitors

#	Name	Grade	Club	1	2	3	Wins	Pts	Pos
1	Morgan WELLON	Blue/Bleue	Sosei Judo Club	XX	10	10	2	20	1
2	Ella BRINSON	Yellow/Jaune	Sosei Judo Club		XX		0	0	3
3	Kathleen SIMMONDS	Green/Vert	Fudoshin Judo Club		10	XX	1	10	2

Matches

Match	White			Blue	Result	Time	Code
A-51	Morgan WELLON	1	2	Ella BRINSON	10 - 0	0:22	IPO
A-56	Morgan WELLON	1	3	Kathleen SIMMONDS	10 - 0	0:28	IPO
A-61	Ella BRINSON	2	3	Kathleen SIMMONDS	0 - 10	2:03	IPO

Results

Pos	Name
1	Morgan WELLON, Sosei Judo Club
2	Kathleen SIMMONDS, Fudoshin Judo Club
3	Ella BRINSON, Sosei Judo Club

Default U18 Male -73kg

Competitors: 5

Competitors

#	Name	Grade	Club	1	2	3	4	5	Wins	Pts	Pos
1	Pierre LIZEE	Blue/Bleue	Butokuden Dojo	XX		10			1	10	3
2	Tye DYSON	BluBr/Bleu	Goose Bay Judo Club	10	XX	10			2	20	2
3	Caden STOCK	Yellow/Jaune	St. John's Bjj-Judo			XX			0	0	4
4	Milan KUSTER	Brown/Marron	Fudoshin Judo Club	10	10	10	XX		3	30	1
5	Sam MCLEAN	Yellow/Jaune	Fudoshin Judo Club					XX	0	0	5

Matches

Match	White	Blue	Result	Time	Code
A-52	Milan KUSTER	4 5 Sam MCLEAN			
A-57	Pierre LIZEE	1 2 Tye DYSON	0 - 10	0:04	IPO
A-58	Caden STOCK	3 4 Milan KUSTER	0 - 10	0:13	IPO
A-62	Pierre LIZEE	1 5 Sam MCLEAN			
A-63	Tye DYSON	2 3 Caden STOCK	10 - 0	0:12	IPO
A-67	Pierre LIZEE	1 4 Milan KUSTER	0 - 10	0:50	IPO
A-68	Caden STOCK	3 5 Sam MCLEAN			
A-72	Tye DYSON	2 4 Milan KUSTER	0 - 10	1:14	IPO
A-73	Pierre LIZEE	1 3 Caden STOCK	10 - 0	1:38	IPO
A-77	Tye DYSON	2 5 Sam MCLEAN			

Results

Pos	Name
1	Milan KUSTER, Fudoshin Judo Club
2	Tye DYSON, Goose Bay Judo Club
3	Pierre LIZEE, Butokuden Dojo
4	Caden STOCK, St. John's Bjj-Judo
5	Sam MCLEAN, Fudoshin Judo Club

Default U21 Male -81kg

Competitors: 2

Competitors

#	Name	Grade	Club	1	2	1	2	1	2	Wins	Pts	Pos
1	Faris Ali KHAN	Brown/Marron	Fudoshin Judo Club	XX		XX		XX		0	0	2
2	Adam BARNEY	Brown/Marron	Goose Bay Judo Club	10	XX	10	XX		XX	2	20	1

Matches

Match	White			Blue	Result	Time	Code
A-59	Faris Ali KHAN	1	2	Adam BARNEY	0 - 10	1:38	IPO
A-64	Adam BARNEY	2	1	Faris Ali KHAN	10 - 0	2:38	IPO
A-69	Faris Ali KHAN	1	2	Adam BARNEY			

Results

Pos	Name
1	Adam BARNEY, Goose Bay Judo Club
2	Faris Ali KHAN, Fudoshin Judo Club

Default Senior Male -81kg

Competitors: 5

Competitors

#	Name	Grade	Club	1	2	3	4	5	Wins	Pts	Pos
1	Dillon HUSSEY	Brown/Marron	Fudoshin Judo Club	XX				10	1	10	4
2	Zachary POIRIER	Blue/Bleue	Butokuden Dojo	10	XX	10	10	10	4	40	1
3	Jonathan WALSH	Blue/Bleue	Goose Bay Judo Club	10		XX	10	10	3	30	2
4	Colin PRICE	Orange	Fudoshin Judo Club	10			XX	10	2	20	3
5	Chingis JENKINS	Yellow/Jaune	Fudoshin Judo Club					XX	0	0	5

Matches

Match	White			Blue	Result	Time	Code
A-65	Colin PRICE	4	5	Chingis JENKINS	10 - 0	0:57	IPO
A-66	Dillon HUSSEY	1	2	Zachary POIRIER	0 - 10	0:26	IPO
A-70	Jonathan WALSH	3	4	Colin PRICE	10 - 0	0:08	IPO
A-71	Dillon HUSSEY	1	5	Chingis JENKINS	10 - 0	0:11	IPO
A-75	Zachary POIRIER	2	3	Jonathan WALSH	10 - 0	0:51	IPO
A-76	Dillon HUSSEY	1	4	Colin PRICE	0 - 10	0:55	IPO
A-80	Jonathan WALSH	3	5	Chingis JENKINS	10 - 0	0:29	IPO
A-81	Zachary POIRIER	2	4	Colin PRICE	10 - 0	0:30	IPO
A-86	Dillon HUSSEY	1	3	Jonathan WALSH	0 - 10	1:13	IPO
A-87	Zachary POIRIER	2	5	Chingis JENKINS	10 - 0	1:06	IPO

Results

Pos	Name
1	Zachary POIRIER, Butokuden Dojo
2	Jonathan WALSH, Goose Bay Judo Club
3	Colin PRICE, Fudoshin Judo Club
4	Dillon HUSSEY, Fudoshin Judo Club
5	Chingis JENKINS, Fudoshin Judo Club

Default Masters Male Y/O +100kg

Competitors: 6

Competitors A

#	Name	Grade	Club	1	2	3	Wins	Pts	Pos
1	Adam BURRY	Brown/Marron	St. John's Bjj-Judo	XX			0	0	3
2	Ethan KEAN	Brown/Marron	St. John's Bjj-Judo	10	XX	10	2	20	1
3	Juan Carlos PEREZ CASANOVA	Orange	Kokoro Budokai	10		XX	1	10	2

Matches A

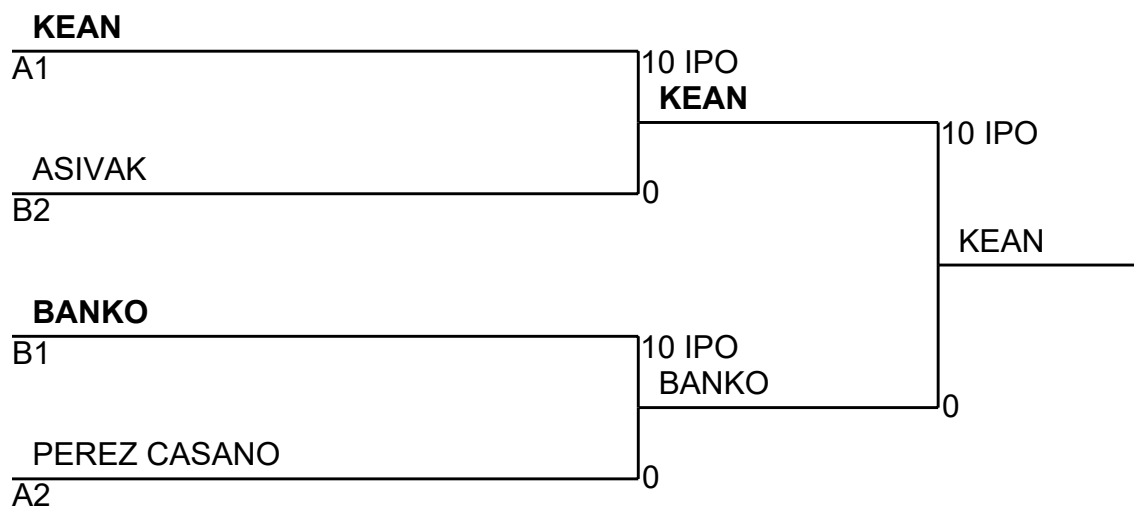
Match	White	Blue	Result	Time	Code
A-74	Adam BURRY	1 2 Ethan KEAN	0 - 10	0:00	IPO
A-79	Adam BURRY	1 3 Juan Carlos PEREZ CASANOVA	0 - 10	0:00	IPO
A-89	Ethan KEAN	2 3 Juan Carlos PEREZ CASANOVA	10 - 0	0:11	IPO

Competitors B

#	Name	Grade	Club	4	5	6	Wins	Pts	Pos
4	Dion SIMMONDS	Brown/Marron	Endoshin Judo Club	XX			0	0	3
5	Dave BANKO	Shodan	St. John's Bjj-Judo	10	XX	10	2	20	1
6	Cameron ASIVAK	YelOr/Jaun	Goose Bay Judo Club	10		XX	1	10	2

Matches B

Match	White	Blue	Result	Time	Code
A-78	Dion SIMMONDS	4 5 Dave BANKO	0 - 10	0:47	IPO
A-88	Dion SIMMONDS	4 6 Cameron ASIVAK	0 - 10	1:02	IPO
A-90	Dave BANKO	5 6 Cameron ASIVAK	10 - 0	2:37	IPO



Results

Pos	Name
1	Ethan KEAN, St. John's Bjj-Judo
2	Dave BANKO, St. John's Bjj-Judo
3	Cameron ASIVAK, Goose Bay Judo Club
3	Juan Carlos PEREZ CASANOVA, Kokoro Budokai