

U12 Female Y/O -36kg

Competitors

#	Name	Grade	Club	1	2	3	Wins	Pts	Pos
1	Hannah RICE	YelOr/JauO	Sosei Judo Club	XX			0	0	3
2	Erin TWEEDIE	Yellow/Jaur	Sosei Judo Club	10	XX		1	10	2
3	Andréane VIDAL	Yellow/Jaur	Butokuden Dojo	10	10	XX	2	20	1

Matches

Match	White			Blue	Result	Time	Code
A-1	Hannah RICE	1	2	Erin TWEEDIE	0 - 10	2:00	IPO
A-6	Hannah RICE	1	3	Andréane VIDAL	0 - 10	1:43	IPO
A-11	Erin TWEEDIE	2	3	Andréane VIDAL	0 - 10	1:58	IPO

Results

Pos	Name
1	Andréane VIDAL, Butokuden Dojo
2	Erin TWEEDIE, Sosei Judo Club
3	Hannah RICE, Sosei Judo Club

U12 Male Y/O -33kg

Competitors

#	Name	Grade	Club	1	2	3	4	Wins	Pts	Pos
1	Steven LEBARS	Yellow/Jaune	Knights of Honour	XX				0	0	4
2	jeffery DRUGGETT	YelOr/Jaune	Knights of Honour	5	XX		10	2	15	2
3	Tristan MACKEY	YelOr/Jaune	MUN Judo Club	7	7	XX		2	14	3
4	nathan DRUGGETT	YelOr/Jaune	Knights of Honour	10		10	XX	2	20	1

Matches

Match	White			Blue	Result	Time	Code
A-2	Steven LEBARS	1	2	jeffery DRUGGETT	0 - 5	2:00	YUK
A-3	Tristan MACKEY	3	4	nathan DRUGGETT	0 - 10	2:00	WIP
A-8	Steven LEBARS	1	3	Tristan MACKEY	0 - 7	2:00	WAZ
A-9	jeffery DRUGGETT	2	4	nathan DRUGGETT	10 - 0	2:00	IPO
A-14	Steven LEBARS	1	4	nathan DRUGGETT	0 - 10	2:00	IPO
A-15	jeffery DRUGGETT	2	3	Tristan MACKEY	0 - 7	2:00	WAZ

Results

Pos	Name
1	nathan DRUGGETT, Knights of Honour
2	jeffery DRUGGETT, Knights of Honour
3	Tristan MACKEY, MUN Judo Club
4	Steven LEBARS, Knights of Honour

U14 Male +81kg

Competitors

#	Name	Grade	Club	1	2	1	2	1	2	Wins	Pts	Pos
1	Carter YETMAN	Orange	Sosei Judo Club	XX		XX	10	XX		1	10	2
2	Zivaan Somers	Orange	Sosei Judo Club	10	XX		XX	10	XX	2	20	1

Matches

Match	White			Blue	Result	Time	Code
A-4	Carter YETMAN	1	2	Zivaan Somers	0 - 10	1:40	IPO
A-10	Carter YETMAN	1	2	Zivaan Somers	10 - 0	1:18	IPO
A-16	Carter YETMAN	1	2	Zivaan Somers	0 - 10	2:37	IPO

Results

Pos	Name
1	Zivaan Somers, Sosei Judo Club
2	Carter YETMAN, Sosei Judo Club

U14 Male -38kg

Competitors

#	Name	Grade	Club	1	2	3	4	5	Wins	Pts	Pos
1	Alix AUDOUZE	Orange	Butokuden Dojo	XX		10	10	10	3	30	2
2	Brady HOWSE	Green/Vert	MUN Judo Club	10	XX	10	10	10	4	40	1
3	Ryan TURNER	OraGr/OraV	Goose Bay Judo Club			XX		10	1	10	4
4	LUKE YETMAN	Orange	Sosei Judo Club			10	XX	5	2	15	3
5	Shane SIMPSON	Orange	Sosei Judo Club					XX	0	0	5

Matches

Match	White			Blue	Result	Time	Code
A-5	LUKE YETMAN	4	5	Shane SIMPSON	5 - 0	3:00	YUK
A-7	Alix AUDOUZE	1	2	Brady HOWSE	0 - 10	2:01	IPO
A-12	Ryan TURNER	3	4	LUKE YETMAN	0 - 10	3:00	IPO
A-13	Alix AUDOUZE	1	5	Shane SIMPSON	10 - 0	0:20	IPO
A-17	Brady HOWSE	2	3	Ryan TURNER	10 - 0	2:56	IPO
A-18	Alix AUDOUZE	1	4	LUKE YETMAN	10 - 0	2:21	IPO
A-22	Ryan TURNER	3	5	Shane SIMPSON	10 - 0	0:11	IPO
A-23	Brady HOWSE	2	4	LUKE YETMAN	10 - 0	0:30	IPO
A-27	Alix AUDOUZE	1	3	Ryan TURNER	10 - 0	0:19	IPO
A-28	Brady HOWSE	2	5	Shane SIMPSON	10 - 0	0:31	IPO

Results

Pos	Name
1	Brady HOWSE, MUN Judo Club
2	Alix AUDOUZE, Butokuden Dojo
3	LUKE YETMAN, Sosei Judo Club
4	Ryan TURNER, Goose Bay Judo Club
5	Shane SIMPSON , Sosei Judo Club

U14 Male Y/O -46kg

Competitors

#	Name	Grade	Club	1	2	3	4	5	Wins	Pts	Pos
1	Jack SIMMONDS	YelOr/Jau	MUN Judo Club	XX					0	0	5
2	Maddox THORNE	YelOr/Jau	MUN Judo Club	10	XX	5		10	3	25	2
3	logan SNOW	YelOr/Jau	Knights of Honour	10		XX		10	2	20	3
4	Zachary POIRIER	Green/Vert	Butokuden Dojo	10	10	10	XX	10	4	40	1
5	Alex BEAUPERTUIS	Yellow/Jaune	Butokuden Dojo	10				XX	1	10	4

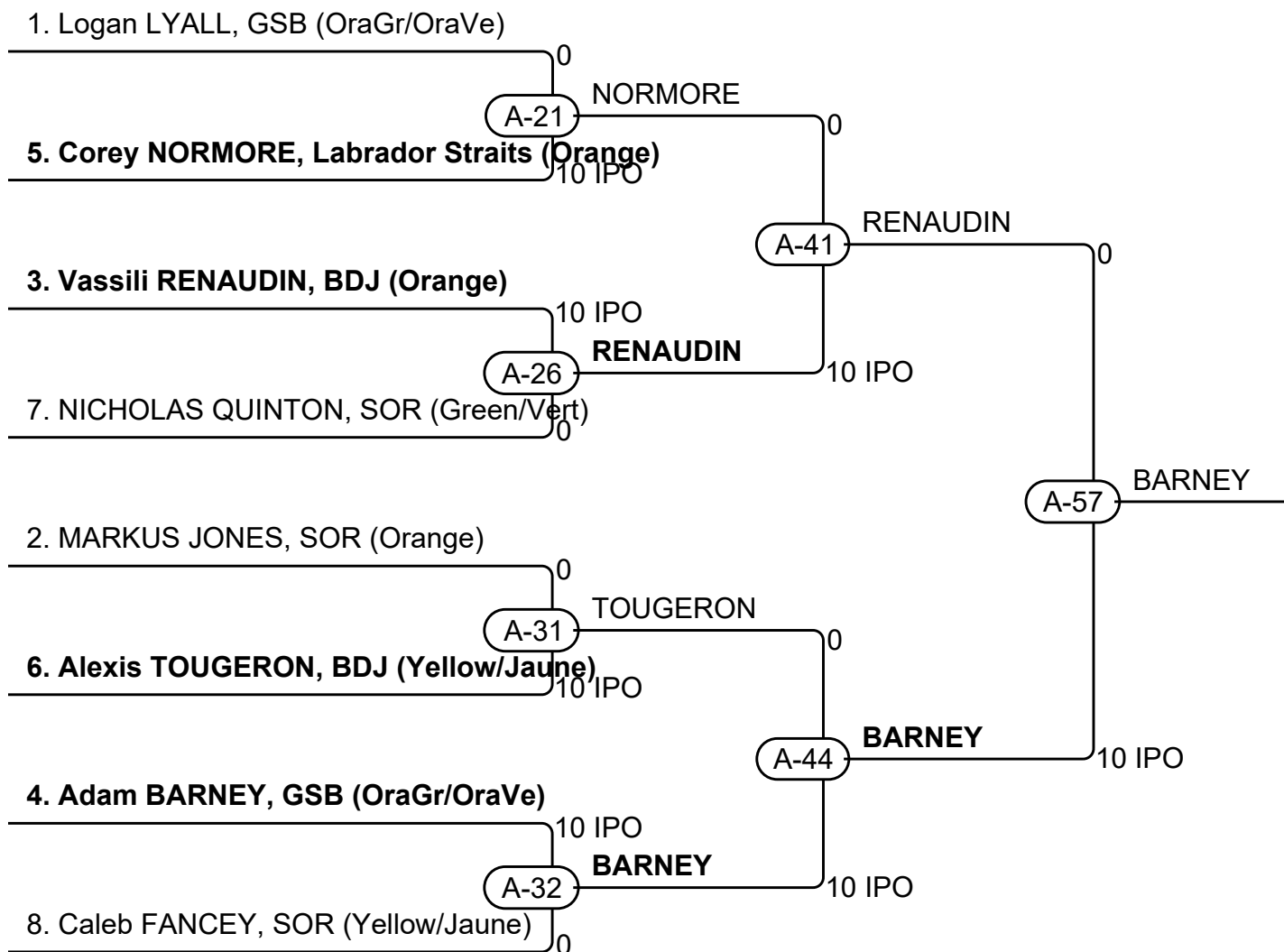
Matches

Match	White			Blue	Result	Time	Code
A-19	Zachary POIRIER	4	5	Alex BEAUPERTUIS	10 - 0	1:26	IPO
A-20	Jack SIMMONDS	1	2	Maddox THORNE	0 - 10	2:25	IPO
A-24	logan SNOW	3	4	Zachary POIRIER	0 - 10	0:07	IPO
A-25	Jack SIMMONDS	1	5	Alex BEAUPERTUIS	0 - 10	0:55	IPO
A-29	Maddox THORNE	2	3	logan SNOW	5 - 0	3:00	YUK
A-30	Jack SIMMONDS	1	4	Zachary POIRIER	0 - 10	0:36	IPO
A-34	logan SNOW	3	5	Alex BEAUPERTUIS	10 - 0	1:50	IPO
A-35	Maddox THORNE	2	4	Zachary POIRIER	0 - 10	0:37	IPO
A-39	Jack SIMMONDS	1	3	logan SNOW	0 - 10	0:00	IPO
A-40	Maddox THORNE	2	5	Alex BEAUPERTUIS	10 - 0	2:38	IPO

Results

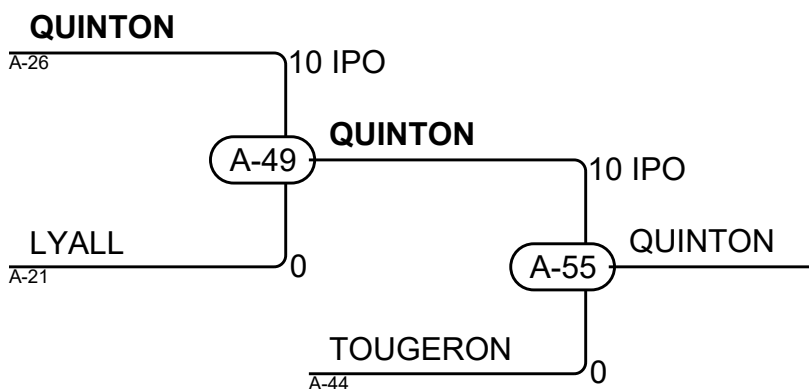
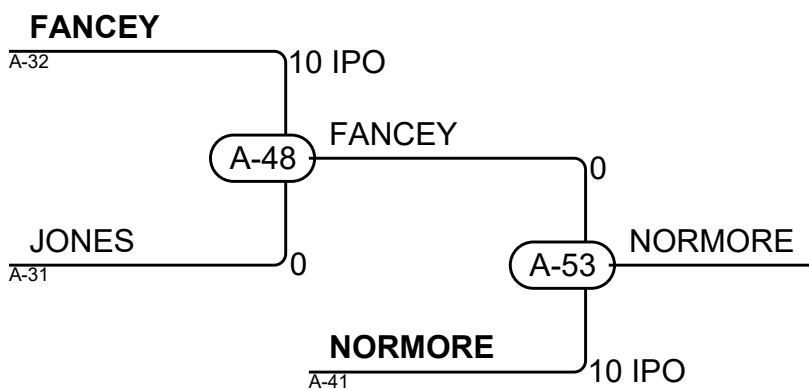
Pos	Name
1	Zachary POIRIER, Butokuden Dojo
2	Maddox THORNE, MUN Judo Club
3	logan SNOW, Knights of Honour
4	Alex BEAUPERTUIS, Butokuden Dojo
5	Jack SIMMONDS , MUN Judo Club

U14 Male Y/O -55kg

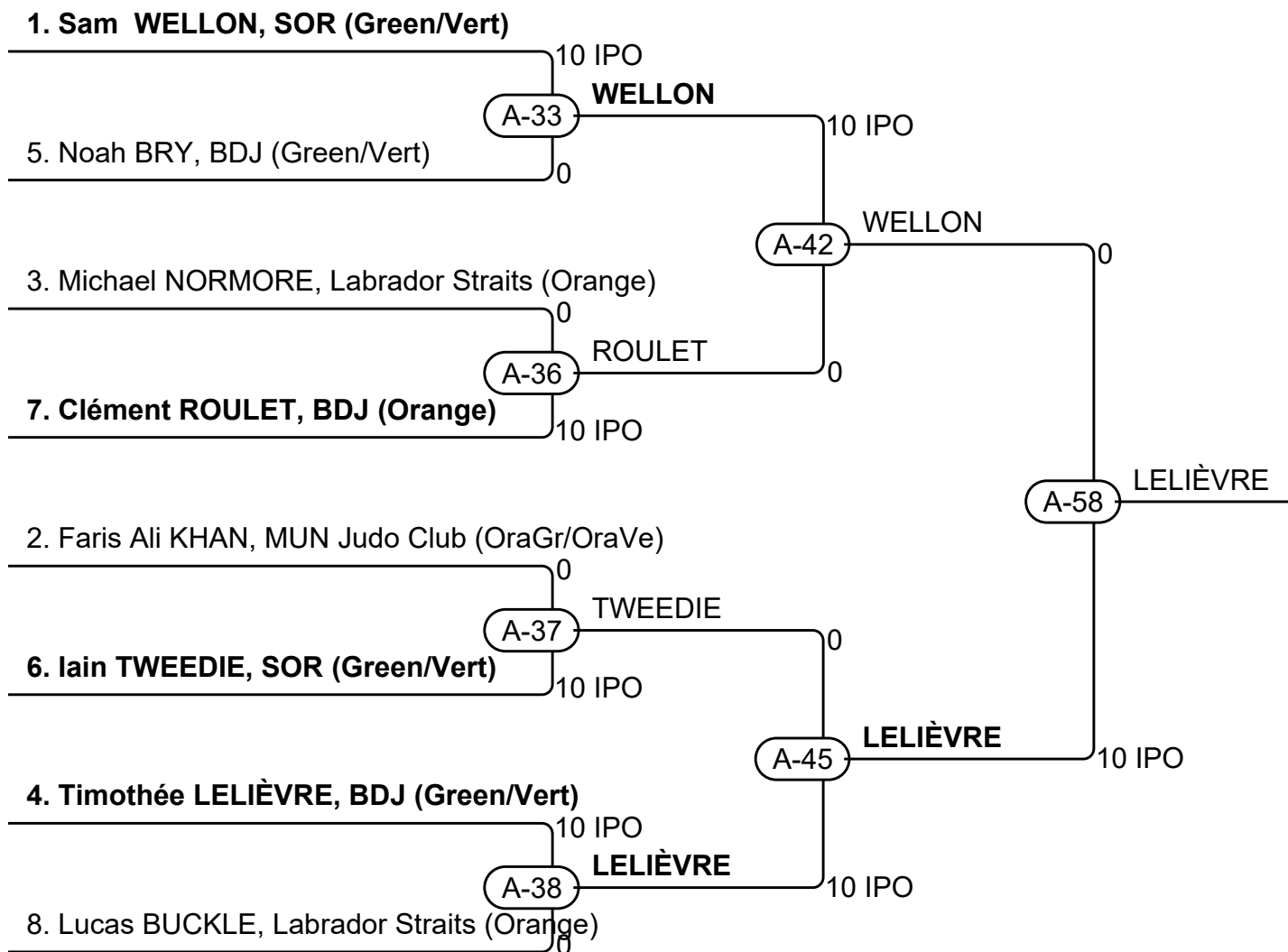


Results

Pos	Name
1	Adam BARNEY, Goose Bay Judo Club
2	Vassili RENAUDIN, Butokuden Dojo
3	Corey NORMORE, Labrador Straits
3	NICHOLAS QUINTON, Sosei Judo Club

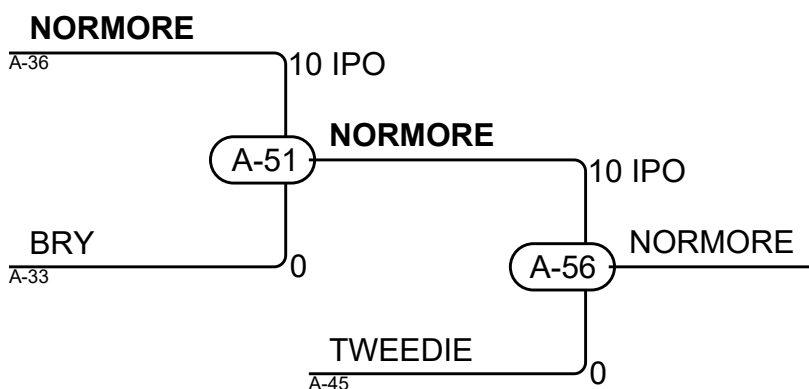
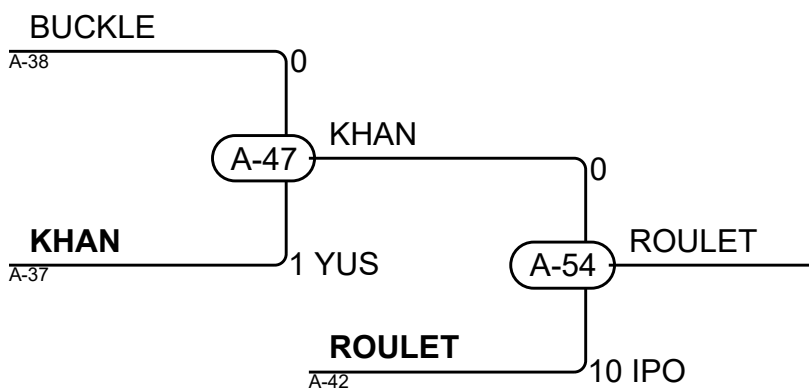


U14 Male -66kg



Results

Pos	Name
1	Timothée LELIÈVRE, Butokuden Dojo
2	Sam WELLON, Sosei Judo Club
3	Clément ROULET, Butokuden Dojo
3	Michael NORMORE, Labrador Straits



U16 Female Y/O -50kg

Competitors

#	Name	Grade	Club	1	2	1	2	1	2	Wins	Pts	Pos
1	Marine SAMBRON	Yellow/Jaune	Butokuden Dojo	XX	10	XX	10	XX		2	20	1
2	madison WHITE	Orange	Knights of Honour		XX		XX		XX	0	0	2

Matches

Match	White			Blue	Result	Time	Code
A-50	Marine SAMBRON	1	2	madison WHITE	10 - 0	0:15	IPO
A-63	Marine SAMBRON	1	2	madison WHITE	10 - 0	0:00	IPO
A-68	Marine SAMBRON	1	2	madison WHITE			

Results

Pos	Name
1	Marine SAMBRON, Butokuden Dojo
2	madison WHITE, Knights of Honour

U16 Female -57kg

Competitors

#	Name	Grade	Club	1	2	1	2	1	2	Wins	Pts	Pos
1	Mahiba KHAN	Blue/Bleue	MUN Judo Club	XX	10	XX	10	XX		2	20	1
2	Christiana KENNEDY	OraGr/OraW	MUN Judo Club		XX		XX		XX	0	0	2

Matches

Match	White			Blue	Result	Time	Code
A-59	Mahiba KHAN	1	2	Christiana KENNEDY	10 - 0	2:47	IPO
A-64	Mahiba KHAN	1	2	Christiana KENNEDY	10 - 0	2:29	IPO
A-69	Mahiba KHAN	1	2	Christiana KENNEDY			

Results

Pos	Name
1	Mahiba KHAN, MUN Judo Club
2	Christiana KENNEDY, MUN Judo Club

U16 Male Y/O -70kg

Competitors

#	Name	Grade	Club	1	2	3	4	Wins	Pts	Pos
1	Keegan FOWLER	Orange	Labrador Straits	XX	10	10		2	20	2
2	Thomas Joshua (T.J.) FLYNN	Orange	Labrador Straits		XX			0	0	4
3	Jacob EAGLES	Green/Vert	MUN Judo Club		10	XX		1	10	3
4	Alexis HUREL	Yellow/Jaune	Butokuden Dojo	10	10	10	XX	3	30	1

Matches

Match	White			Blue	Result	Time	Code
A-60	Keegan FOWLER	1	2	Thomas Joshua (T.J.) FLYNN	10 - 0	1:34	IPO
A-61	Jacob EAGLES	3	4	Alexis HUREL	0 - 10	1:10	IPO
A-66	Keegan FOWLER	1	3	Jacob EAGLES	10 - 0	1:56	IPO
A-67	Thomas Joshua (T.J.) FLYNN	2	4	Alexis HUREL	0 - 10	0:26	IPO
A-72	Keegan FOWLER	1	4	Alexis HUREL	0 - 10	1:01	IPO
A-73	Thomas Joshua (T.J.) FLYNN	2	3	Jacob EAGLES	0 - 10	0:00	IPO

Results

Pos	Name
1	Alexis HUREL, Butokuden Dojo
2	Keegan FOWLER, Labrador Straits
3	Jacob EAGLES, MUN Judo Club
4	Thomas Joshua (T.J.) FLYNN, Labrador Straits

U16 Male -60kg

Competitors A

#	Name	Grade	Club	1	2	3	Wins	Pts	Pos
1	Ian SIMPSON	Blue/Bleue	Sosei Judo Club	XX	10	10	2	20	1
2	Nolan WALSH	Green/Vert	Goose Bay Judo Club		XX		0	0	3
3	Mathéo RODRIGUES	Blue/Bleue	Butokuden Dojo		10	XX	1	10	2

Matches A

Match	White			Blue	Result	Time	Code
A-62	Ian SIMPSON	1	2	Nolan WALSH	10 - 0	0:15	IPO
A-70	Ian SIMPSON	1	3	Mathéo RODRIGUES	10 - 0	0:37	IPO
A-75	Nolan WALSH	2	3	Mathéo RODRIGUES	0 - 10	0:31	IPO

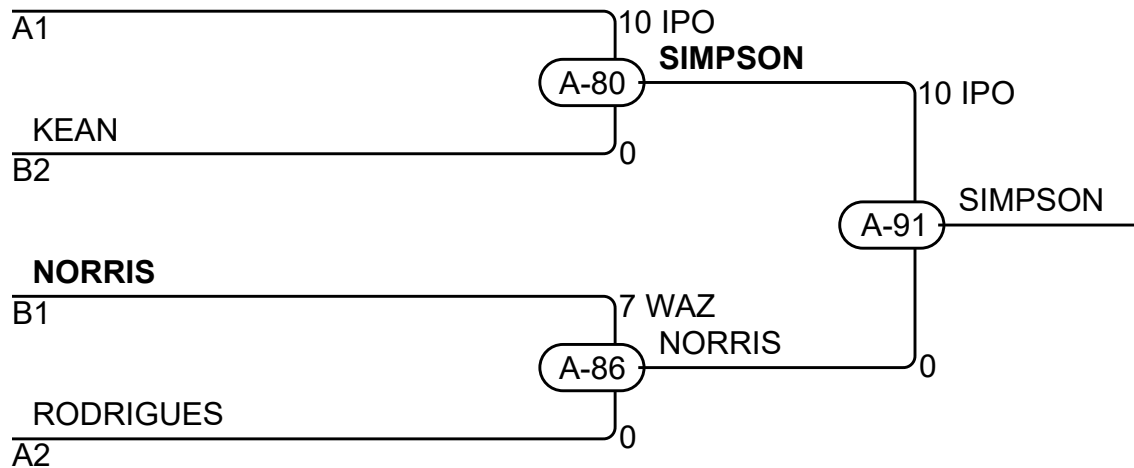
Competitors B

#	Name	Grade	Club	4	5	6	Wins	Pts	Pos
4	Ethan KEAN	Green/Vert	Sosei Judo Club	XX	7		1	7	2
5	Joshua BLAKE	Blue/Bleue	Goose Bay Judo Club		XX		0	0	3
6	Mason NORRIS	GreBI/Ver	BIMUN Judo Club	10	10	XX	2	20	1

Matches B

Match	White			Blue	Result	Time	Code
A-65	Ethan KEAN	4	5	Joshua BLAKE	7 - 0	3:00	WAZ
A-71	Ethan KEAN	4	6	Mason NORRIS	0 - 10	1:18	IPO
A-76	Joshua BLAKE	5	6	Mason NORRIS	0 - 10	1:52	IPO

SIMPSON



Results

Pos	Name
1	Ian SIMPSON, Sosei Judo Club
2	Mason NORRIS, MUN Judo Club
3	Ethan KEAN, Sosei Judo Club
3	Mathéo RODRIGUES, Butokuden Dojo

U18 Female Y/O +70kg

Competitors

#	Name	Grade	Club	1	2	3	Wins	Pts	Pos
1	BRITTANY BARNES	Orange	Sosei Judo Club	XX	10	1	2	11	1
2	natalie FREAKE	Orange	Sosei Judo Club		XX	7	1	7	2
3	Mary-Kate RANDELL	Brown/Maroon	Goose Bay Judo Club			XX	0	0	3

Matches

Match	White			Blue	Result	Time	Code
A-74	BRITTANY BARNES	1	2	natalie FREAKE	10 - 0	3:36	IPO
A-79	BRITTANY BARNES	1	3	Mary-Kate RANDELL	1 - 0	4:00	YUS
A-85	natalie FREAKE	2	3	Mary-Kate RANDELL	7 - 0	4:00	WAZ

Results

Pos	Name
1	BRITTANY BARNES, Sosei Judo Club
2	natalie FREAKE, Sosei Judo Club
3	Mary-Kate RANDELL, Goose Bay Judo Club

U18 Male +81kg

Competitors

#	Name	Grade	Club	1	2	1	2	1	2	Wins	Pts	Pos
1	Kiyaan Somers	Orange	Sosei Judo Club	XX		XX		XX		0	0	2
2	Jack HUDSON	Blue/Bleue	MUN Judo Club	7	XX	10	XX		XX	2	17	1

Matches

Match	White			Blue	Result	Time	Code
A-77	Kiyaan Somers	1	2	Jack HUDSON	0 - 7	4:00	WAZ
A-83	Kiyaan Somers	1	2	Jack HUDSON	0 - 10	4:00	IPO
A-89	Kiyaan Somers	1	2	Jack HUDSON			

Results

Pos	Name
1	Jack HUDSON, MUN Judo Club
2	Kiyaan Somers, Sosei Judo Club

U18 Male -81kg

Competitors

#	Name	Grade	Club	1	2	3	Wins	Pts	Pos
1	Tyler RUSSELL	Green/Vert	Goose Bay Judo Club	XX			0	0	3
2	Nicholas BEAUFIELD	Brown/Maroon	Goose Bay Judo Club	10	XX		1	10	2
3	Adam MCCARTHY	Blue/Blue	Sosei Judo Club	10	7	XX	2	17	1

Matches

Match	White			Blue	Result	Time	Code
A-78	Tyler RUSSELL	1	2	Nicholas BEAUFIELD	0 - 10	1:13	IPO
A-84	Tyler RUSSELL	1	3	Adam MCCARTHY	0 - 10	0:58	IPO
A-90	Nicholas BEAUFIELD	2	3	Adam MCCARTHY	0 - 7	4:00	WAZ

Results

Pos	Name
1	Adam MCCARTHY, Sosei Judo Club
2	Nicholas BEAUFIELD, Goose Bay Judo Club
3	Tyler RUSSELL, Goose Bay Judo Club

U21 Male -60kg

Competitors

#	Name	Grade	Club	1	2	3	Wins	Pts	Pos
1	Dillon HUSSEY	BluBr/Blue	MUN Judo Club	XX			0	0	3
2	Ian SIMPSON	Blue/Blue	Sosei Judo Club	10	XX	10	2	20	1
3	Joshua BLAKE	Blue/Blue	Goose Bay Judo Club	10		XX	1	10	2

Matches

Match	White		Blue		Result	Time	Code
A-81	Dillon HUSSEY	1	2	Ian SIMPSON	0 - 10	0:22	IPO
A-87	Dillon HUSSEY	1	3	Joshua BLAKE	0 - 10	1:45	IPO
A-93	Ian SIMPSON	2	3	Joshua BLAKE	10 - 0	0:26	IPO

Results

Pos	Name
1	Ian SIMPSON, Sosei Judo Club
2	Joshua BLAKE, Goose Bay Judo Club
3	Dillon HUSSEY, MUN Judo Club

U21 Male +100kg

Competitors

#	Name	Grade	Club	1	2	3	Wins	Pts	Pos
1	shawn WHITE	Yellow/Jaune	Knights of Honour	XX			0	0	3
2	Cody YOUNG	Brown/Marron	Sosei Judo Club	10	XX		1	10	2
3	Jason STOCK	Yellow/Jaune	Ju-Jitsu & Judo	10	10	XX	2	20	1

Matches

Match	White			Blue	Result	Time	Code
A-82	shawn WHITE	1	2	Cody YOUNG	0 - 10	1:21	IPO
A-88	shawn WHITE	1	3	Jason STOCK	0 - 10	0:07	IPO
A-94	Cody YOUNG	2	3	Jason STOCK	0 - 10	0:47	IPO

Results

Pos	Name
1	Jason STOCK, Ju-Jitsu & Judo
2	Cody YOUNG, Sosei Judo Club
3	shawn WHITE, Knights of Honour

Senior Male -81kg

Competitors

#	Name	Grade	Club	1	2	3	4	Wins	Pts	Pos
1	Josh MATTHEWS	Brown/Marr	Sosei Judo Club	XX	10	10	10	3	30	1
2	Jamie SULEY	Green/Vert	Ju-Jitsu & Judo		XX			0	0	4
3	Patrick CAINES	Orange	Jason Foley's Academy		10	XX	10	2	20	2
4	Grant LAMBE	Brown/Marr	MUN Judo Club		10		XX	1	10	3

Matches

Match	White			Blue	Result	Time	Code
A-92	Josh MATTHEWS	1	2	Jamie SULEY	10 - 0	0:45	IPO
A-95	Patrick CAINES	3	4	Grant LAMBE	10 - 0	0:40	IPO
A-96	Josh MATTHEWS	1	3	Patrick CAINES	10 - 0	0:26	IPO
A-97	Jamie SULEY	2	4	Grant LAMBE	0 - 10	2:06	IPO
A-98	Josh MATTHEWS	1	4	Grant LAMBE	10 - 0	0:39	IPO
A-99	Jamie SULEY	2	3	Patrick CAINES	0 - 10	1:12	IPO

Results

Pos	Name
1	Josh MATTHEWS, Sosei Judo Club
2	Patrick CAINES, Jason Foley's Academy
3	Grant LAMBE, MUN Judo Club
4	Jamie SULEY, Ju-Jitsu & Judo